

FREESTANDING ACRYLIC BARRIER FOR OFFICES

BlinkSigns

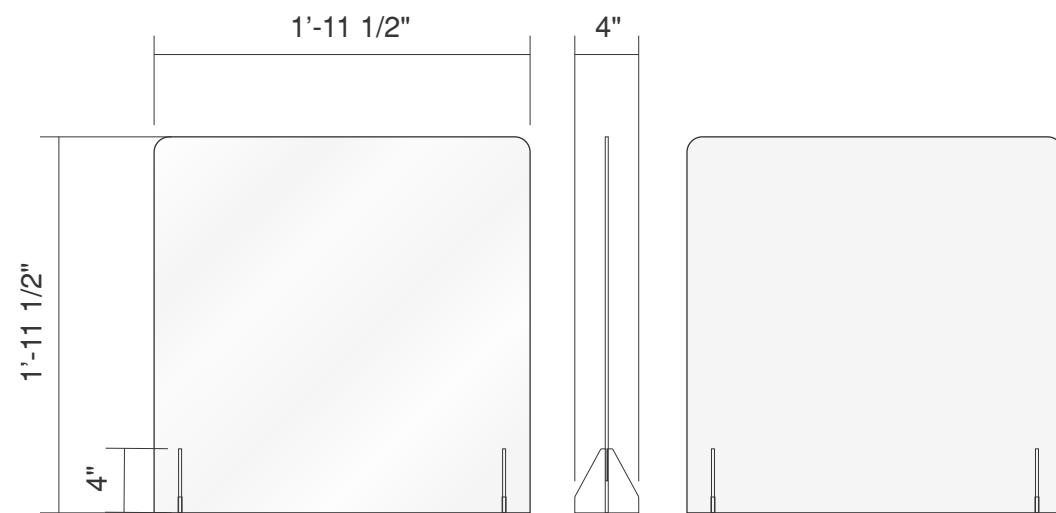
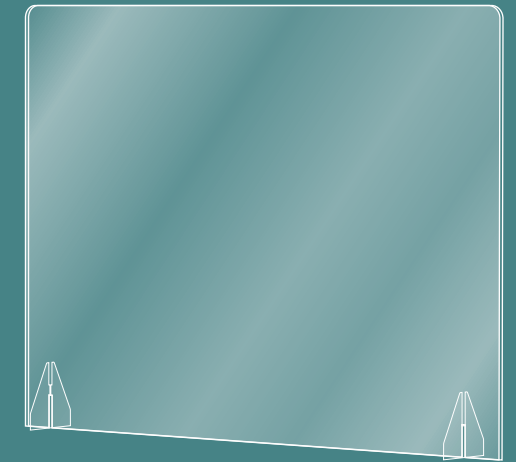
877.433.4466

blinksigns.com



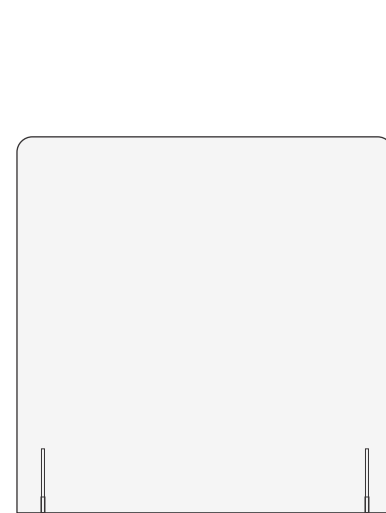
Acrylic Barrier Specifications:

- 3/16" acrylic (clear or translucent frosted)
- Radius corners & flame polished edges
- (2) 4" deep notch acrylic stands
- Packaging & shipping additional



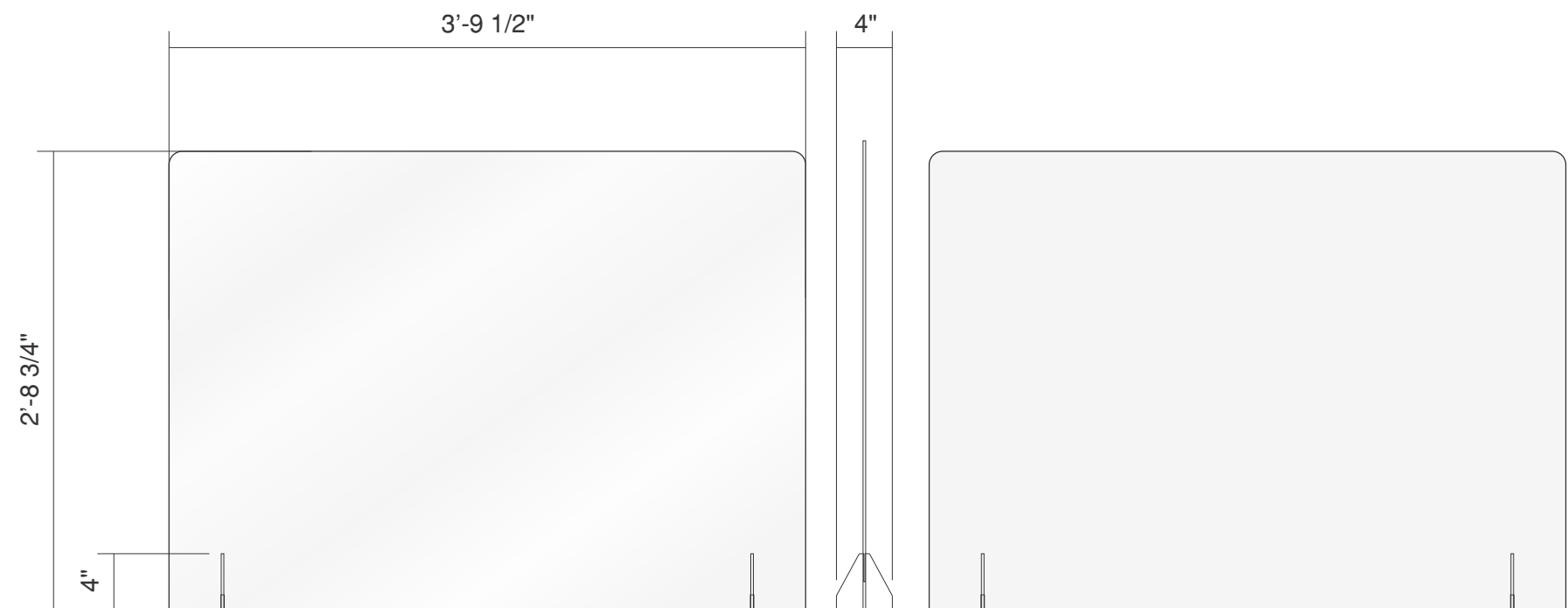
SIZE A

CLEAR ACRYLIC
23-1/2" H x 23-1/2" W



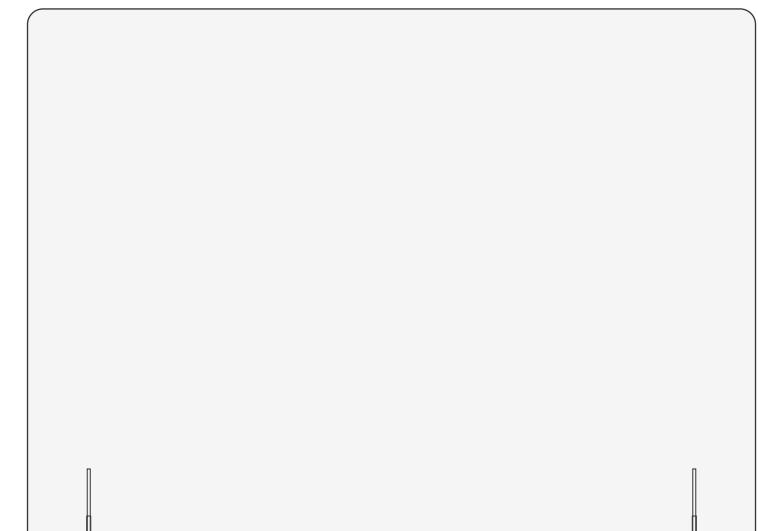
SIZE A

FROSTED ACRYLIC
23-1/2" H x 23-1/2" W



SIZE B

CLEAR ACRYLIC
32-3/4" H x 45-1/2" W



SIZE B

FROSTED ACRYLIC
32-3/4" H x 45-1/2" W

For Custom Sizes Please Call 877.433.4466 or Email sales@blinksigns.com