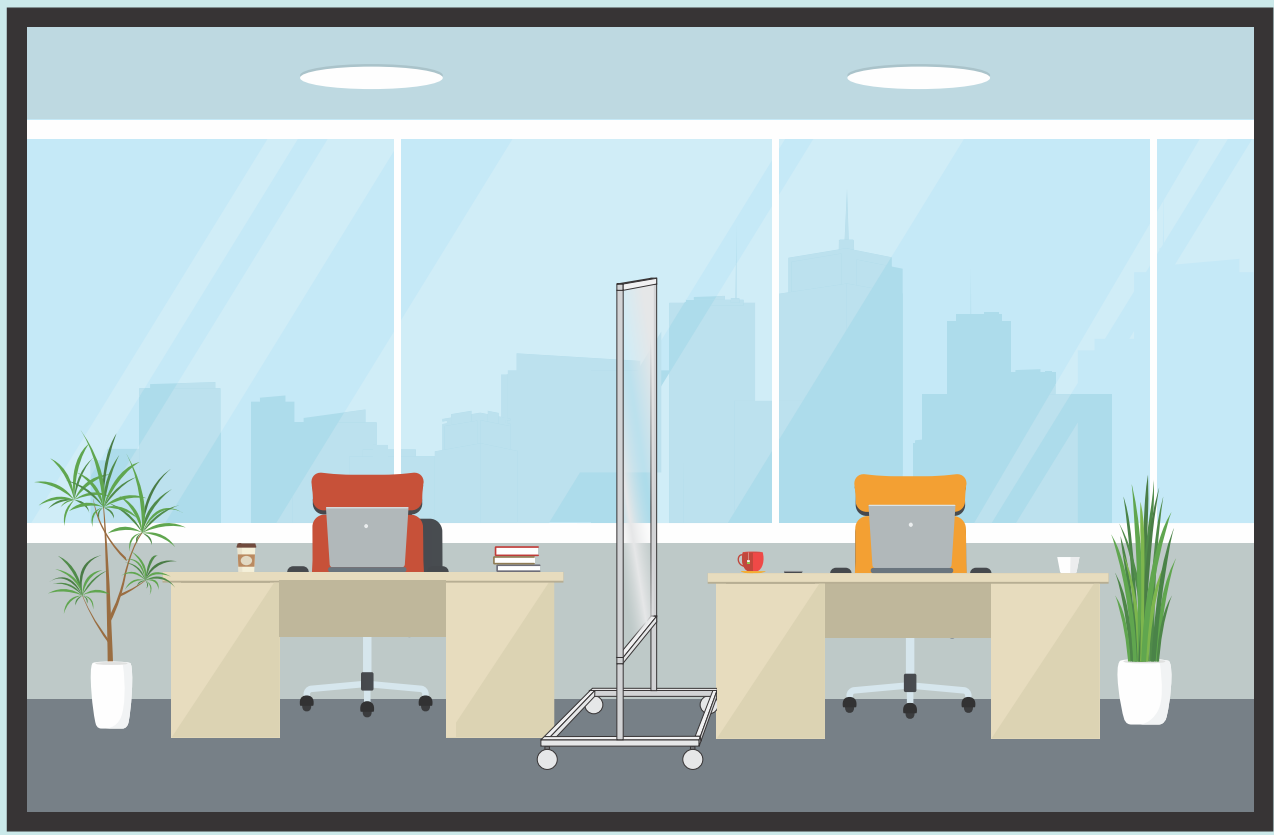


MOBILE FULL BODY SNEEZE GUARDS

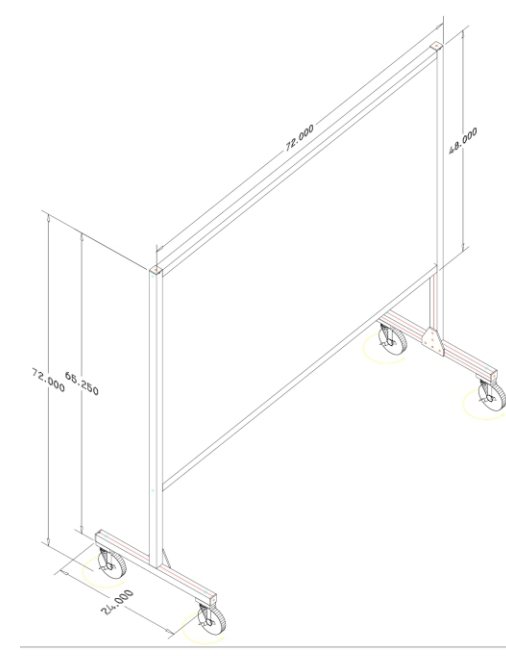
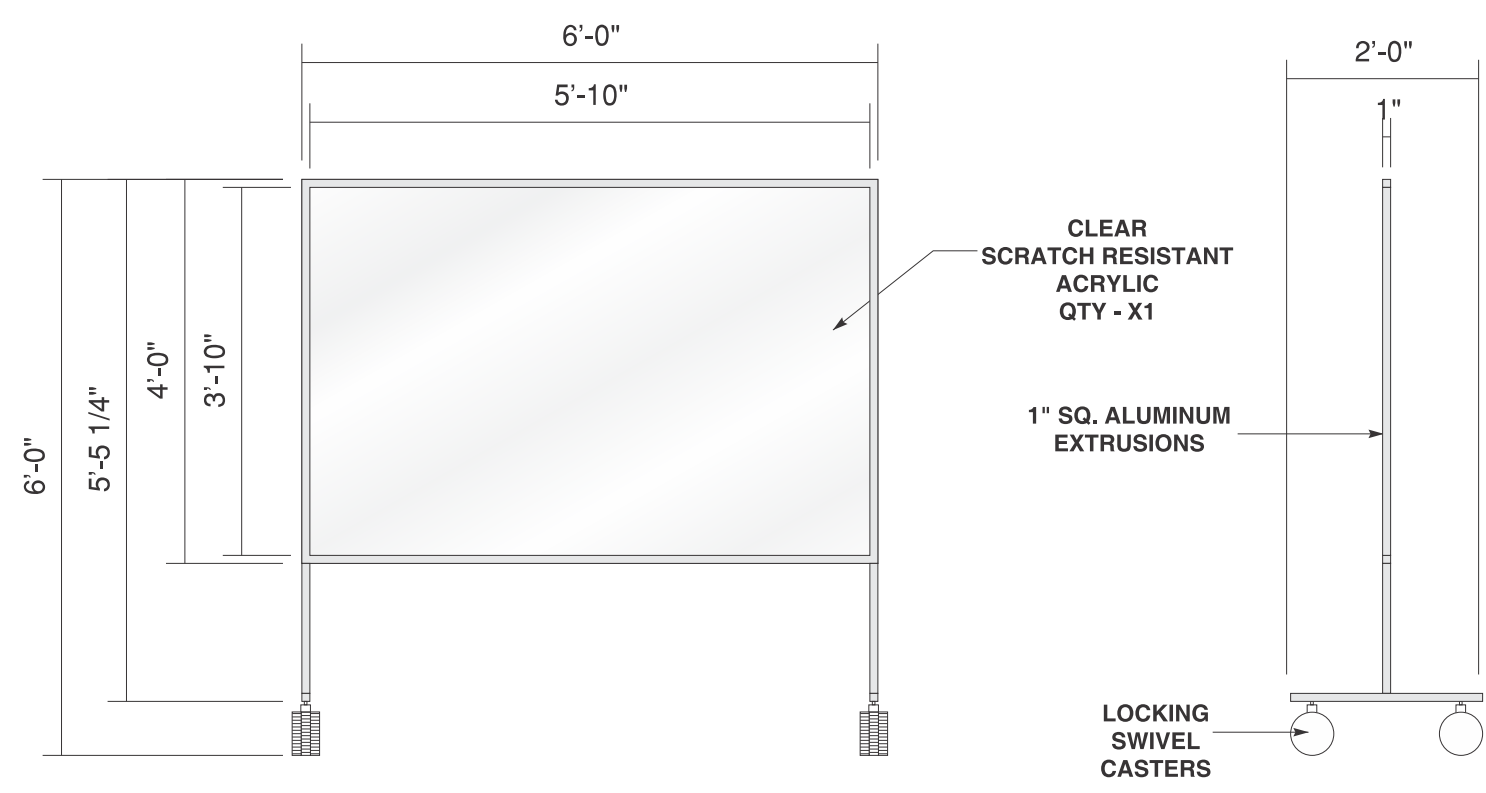


877.433.4466
blinksigns.com

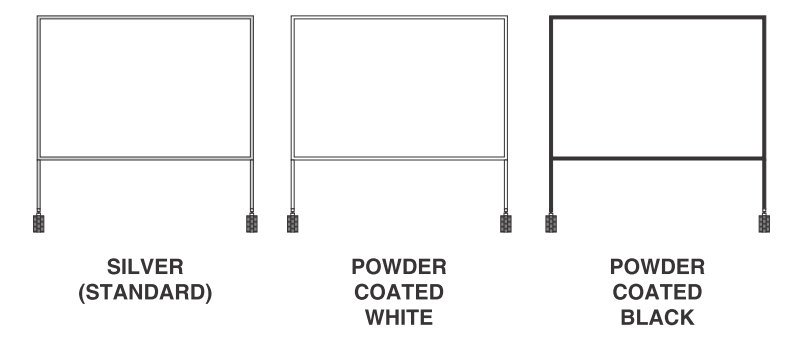


Mobile Full Body Sneeze Guard Specifications:

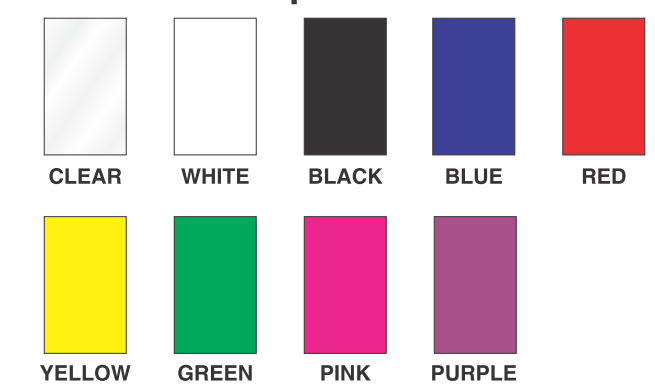
- 4' x 6' x 3/16" thick scratch resistant acrylic (clear, white, black, blue, red, yellow, green, pink, or purple)
- 1" aluminum tube frame (silver, white, or black)
- Locking swivel casters



Frame Color options:



Panel Color options:



For Custom Sizes Please Call 877.433.4466 or Email sales@blinksigns.com